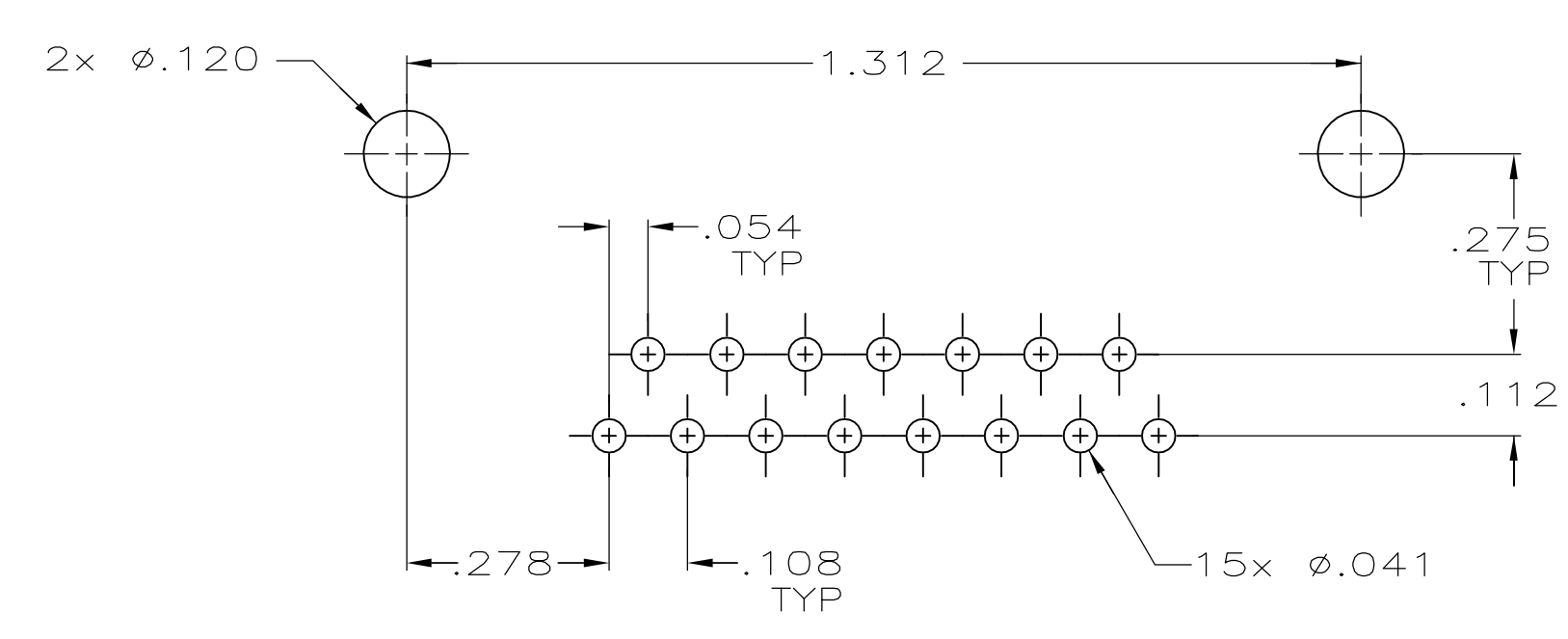
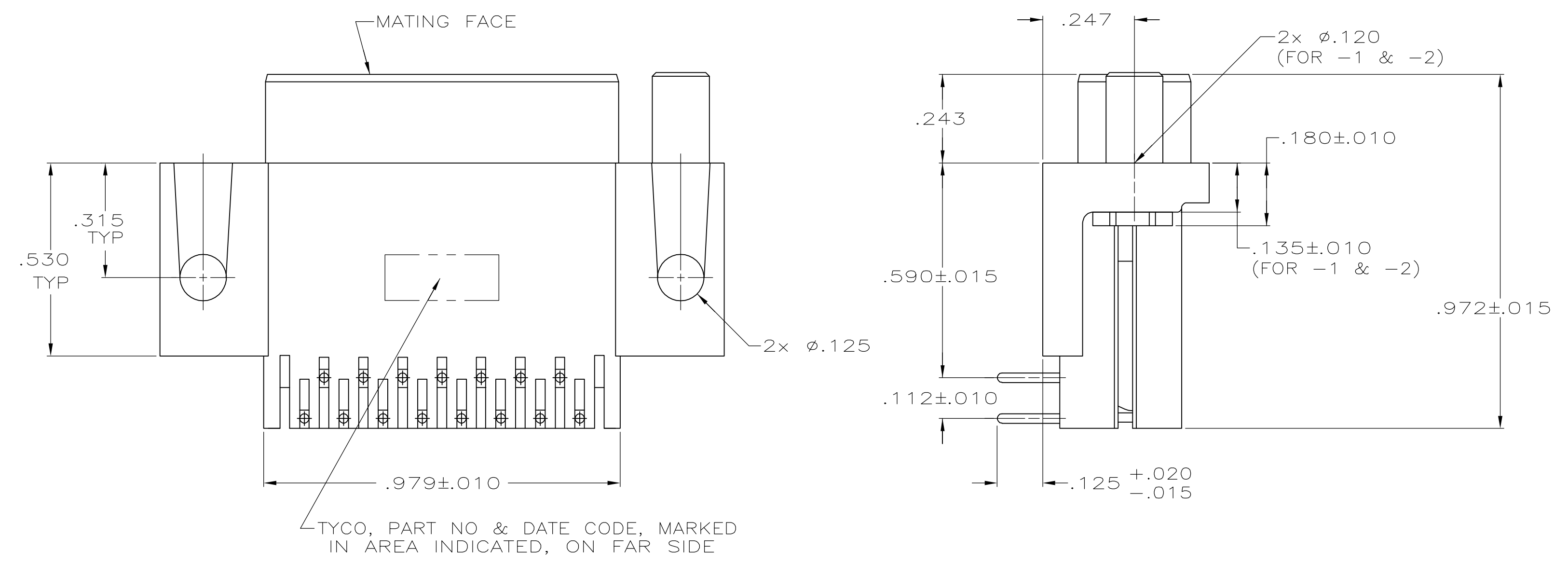


- 1 HOUSING: FLAME RETARDANT, 94V-0 RATED, GLASS FILLED, NYLON OR POLYESTER, COLOR: BLACK  
CONTACTS: PHOS BRONZE.  
INSERTS & SCREWLOCKS: ZINC.
- 2 REFER TO APPLICATION SPEC FOR RECOMMENDED P.C. BOARD MOUNTING DIMENSIONS FOR AUTOMATIC INSERTION.
- 3 CONTACTS: SEE TABLE  
INSERTS & SCREWLOCKS: CLEAR CHROMATE COATING.
- 4 PLATED WITH GOLD FLASH FOR LENGTH OF .055 MIN FROM MATING END, .000100 MIN TIN ON SOLDER END, ALL OVER .000050 MIN NICKEL ON ENTIRE CONTACT.
- 5 PLATED WITH .000030 MIN GOLD FOR LENGTH OF .055 MIN FROM MATING END, .000100 MIN TIN SOLDER END, ALL OVER .000050 MIN NICKEL ON ENTIRE CONTACT.



P.C. BOARD MOUNTING DIMENSIONS 2

WITH SCREWLOCKS	4	5	5747460-5
WITH INSERTS	4	5	5747460-4
WITH .120 DIA HOLE	4	5	5747460-3
WITH .120 DIA HOLE	4	5	5747460-2
WITH .120 DIA HOLE	4	5	5747460-1
REMARKS	FINISH		PART NUMBER

THIS DRAWING IS A CONTROLLED DOCUMENT.		DWN G. PETERS 16SEP05	Tyco Electronics Corporation Harrisburg, PA 17105-3608	
DIMENSIONS: INCHES		CHK S. BOLASH 16SEP05	Tyco Electronics Corporation	
TOLERANCES UNLESS OTHERWISE SPECIFIED:		APVD M. WALMSLEY 16SEP05	NAME	
0 PLC ± -		PRODUCT SPEC		
1 PLC ± -		108-40025		
2 PLC ± -		APPLICATION SPEC		
3 PLC ± .005		114-40015		
4 PLC ± -		SIZE		
ANGLES ± ±		CAGE CODE DRAWING NO		
FINISH		A1 00779 C=5747460		
MATERIAL		WEIGHT		
1		CUSTOMER DRAWING		
2		SCALE 4:1 SHEET 1 of 1 REV B		